



Low Cost Radar "Smart" Level Measurement Sensors



730 The Kingsway Peterborough, Ont. K9J6W6 Canada
 Tel: (705) 740 - 2010 Web: www.abmsensor.com
 Fax: (705) 740 - 2563 E-mail: general@abmsensor.com

FEATURES

- Simple push-button calibration (Accurate)
- Output 4-20 mA /20-4mA (Isolated on 4 Wire Model's only)
- Optional RS232 OR RS485 communications with calibration, diagnostics & data logging software
- PLC compatible (Modbus RTU)
- Three or Four Wire Operation



APPLICATIONS

- Food and Beverages
- Water / Wastewater
- Chemicals with vapors

MECHANICAL

Conduit Entry 1/2" NPT
 Enclosure Aluminum Or Stainless Steel - 94V0
 Ingress Protection NEMA 4 (IP65)

ENVIRONMENTAL

Temperature - 40 to 140°F (- 40 to 60°C)
 Installation Category Class II
 Approvals FCC Part 15 - Low Power Communication Device

PROCESS

Temperature PP Rod - 40 to 190°F (- 40 to 90°C)

Material Dielectric $\epsilon_r > 2$
 Pressure 1-10 bar 15-150 psi

OPERATIONAL

Operation Pulse Radar
 Accuracy +/-0.25% of maximum target range (in air)
 Frequency 6.3 GHz
 Loss of Echo Hold 30 seconds, 22mA output Time
 Transmitter Power 50 uW average
 Calibration Push-button or programmable via optional communications port.
 Diagnostics (Echo Profile) via communications Port
 Antenna Dielectric rod (PP, & Optional PTFE)



ABMXXX-XXXXR Optional Communications- Specify RS232 or RS485
 R = Radar 6.3 GHz
 XXX = Operating Range
 400 = AC Power , 300 = DC Power

TECHNICAL SPECIFICATIONS

| MODEL | RANGE | RESOLUTION | MOUNTING |
|------------------------------|-------------------------|-----------------|----------|
| ABM300 - 050R 3 Wire - DC | * - 50 ft. * - 15 m | 0.22" 5.7 mm | 2.0" NPT |
| ABM300 - 100R 3 Wire - DC | * - 100 ft. * - 30 m | 0.44" 11 mm | 2.0" NPT |
| ABM400 - 050R 4 Wire - AC | * - 50 ft. * - 15 m | 0.22" 5.7 mm | 2.0" NPT |
| ABM400 - 100R 4 Wire - AC | * - 100 ft. * - 30 m | 0.44" 11 mm | 2.0" NPT |

Note - * Minimum Distance starts at the lower tip of the antenna .

ELECTRICAL SPECIFICATIONS

| | | |
|--------|--|---|
| Power | AC | 115 VAC 60 Hz or 230 VAC 50 Hz (+/-20%) , 1.7 VA |
| | DC | 12 to 30 VDC , 0.07 A max @ 24 Vdc R load = (Vs - 6) / 24 mA |
| Output | 4-20 mA Output 6.1 uA resolution | |
| | 750 Ohms (Isolated on 4 Wire only) | |
| | Optional RS232 or RS485 communications port. | |



Authorised Distributor

MTS Engineers Pvt. Ltd.

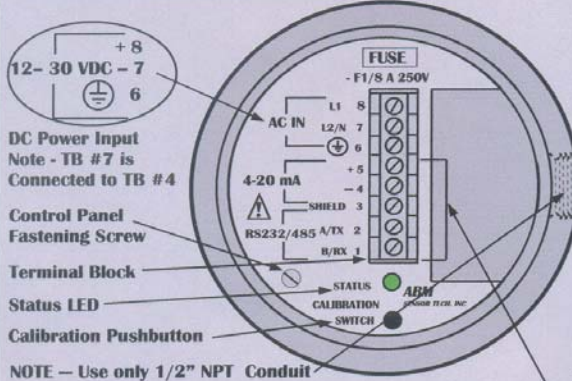
B-408, Wall Street - II, Opp. Orient Club, Nr. Gujarat College, Ellisbridge, Ahmedabad - 380 006, Gujarat (India). Tel. No. : 079 - 26400063, Telefax : 079 - 40047430
 E-mail : info@mtsengrs.com, Web : www.mtsengrs.com

**USER INSTRUCTION MANUAL
For ABM300/400 (DC/AC) SENSORS**



730 The Kingsway Peterborough, Ont. K9J6W6 Canada
Tel: (705) 740 - 2010 Web: www.abmsensor.com
Fax: (705) 740 - 2563 E-mail: general@abmsensor.com

**Inter-Connection Diagram
Top View of Sensor (Access Cover Removed)**



FCC INFORMATION TO RADAR USERS

NOTE: This equipment has been tested and found to comply with the limits for a Class A digital device, pursuant to Part 15 of the FCC Rules. These limits are designed to provide reasonable protection against harmful interference when the equipment is operated in a commercial environment. This equipment generates, uses, and can radiate radio frequency energy and, if not installed and used in accordance with the instruction manual, may cause harmful interference to radio communications. Operation of this equipment in a residential area is likely to cause harmful interference in which case the user will be required to correct the interference at his own expense.

WARNING- Changes or Modifications not expressly approved by ABM Sensor Technology Inc. could void the user's authority to operate the equipment.

Wiring Information

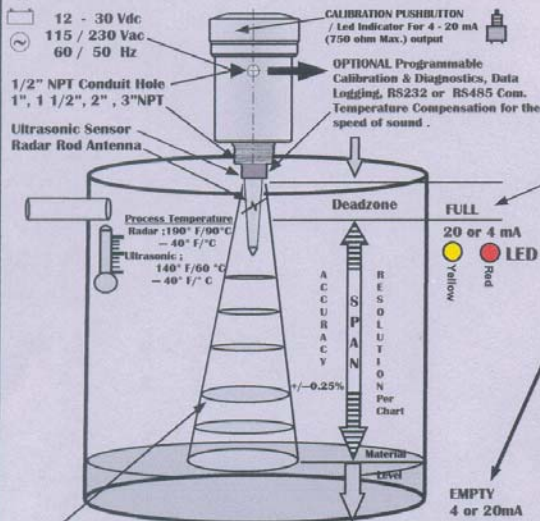
- Ground shield at one end only.
- All terminal block wiring must be rated for 250V.
- Power input wiring must be protected by a 15A double pole circuit breaker .
- Terminal is for use only with equipment which has no live parts which are accessible .
- Terminal is for use with equipment which maintains basic insulation from hazardous voltage under normal and single fault conditions .
- Connection used at the remote end of external circuit .

Recommended Wiring

- For AC Sensor -
Power 3 Wire unshielded 22 AWG , 300 V
Current Output 1 Pair shielded 24 AWG , 300 V
Communication 1 Pair shielded 24 AWG , 300 V
- For DC Sensor -
Power & Current output 3 Wire shielded 24 AWG , 300 V
Communication 1 Pair shielded 24 AWG , 300 V

Typical Installation

- 1) DIRECT MOUNTING ULTRASONIC SENSOR -SIMPLY THREAD SENSOR DIRECTLY INTO METAL OR PLASTIC NOZZLE.
- 2) RADAR UNIT MUST BE INSTALLED INTO METAL FITTING WITH THE ANTENNA POINTING DOWNWARD.



Calibration - 4 -20 or 20 - 4 mA Output

FULL - Calibrate 20 mA or 4mA (Set Near Target)

1. Calibration mode LED color is Green.
(for Radar Low Dielectric Materials has to be off)
2. Push button and hold until LED turns Yellow (20 mA) or push button and hold until LED turns Red (4 mA)
3. Release button, observe LED flashes to acknowledge the calibration.

EMPTY - Calibrate 4 mA or 20 mA (Set Far Target)

1. Calibration mode LED color is Green
(for Radar Low Dielectric Materials has to be off)
2. Push button and hold until LED turns Red (4 mA) or push button and hold until LED turns Yellow (20 mA)
3. Release button, observe LED flashes to acknowledge the calibration.

For Radar to turn the Low Dielectric Materials operation mode ON and OFF (this mode is recommended for materials with dielectric constant lower than 4.)

- 1) To turn the Low Dielectric Materials ON. Push button and hold until LED goes OFF after the sequence of Yellow , Red and turns Off. The Low Dielectric Material operation is On when the LED'S Green light blinks constantly.
- 2) To turn the Low Dielectric Materials OFF. Push button and hold until LED goes OFF after the sequence of Yellow , Red and Turns Off. The Low Dielectric Material operation is OFF when LED is continuously Green.



Authorised Distributor

MTS Engineers Pvt. Ltd.

B-408, Wall Street - II, Opp. Orient Club, Nr. Gujarat College, Ellisbridge, Ahmedabad - 380 006. Gujarat (India). Tel. No. : 079 - 26400063, Telefax : 079 - 40047430
E-mail : info@mtsengrs.com, Web : www.mtsengrs.com

INSTRUCTION MANUAL 10A385
For ABM 300/400 (DC/AC) Sensors With
Communication For a Single Or Network Level Sensors



730 The Kingsway Peterborough, Ont. K9J6W6 Canada
 Tel: (705) 740 - 2010 Web: www.abmsensor.com
 Fax: (705) 740 - 2563 E-mail: general@abmsensor.com

Fig. # 1 RS232 Connection

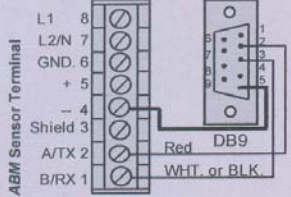
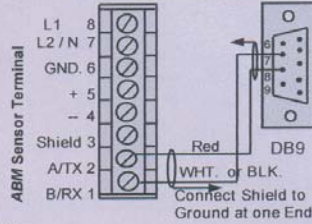
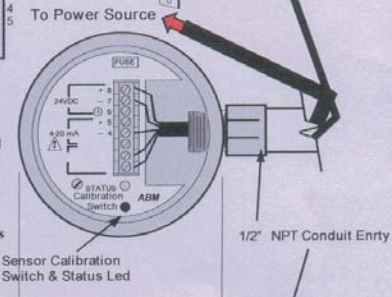


Fig. # 2 RS485 Connection



Connect to Serial Port of PC, use Extension Cable length as required, Refer to Fig.# 1 or # 2 For Wiring



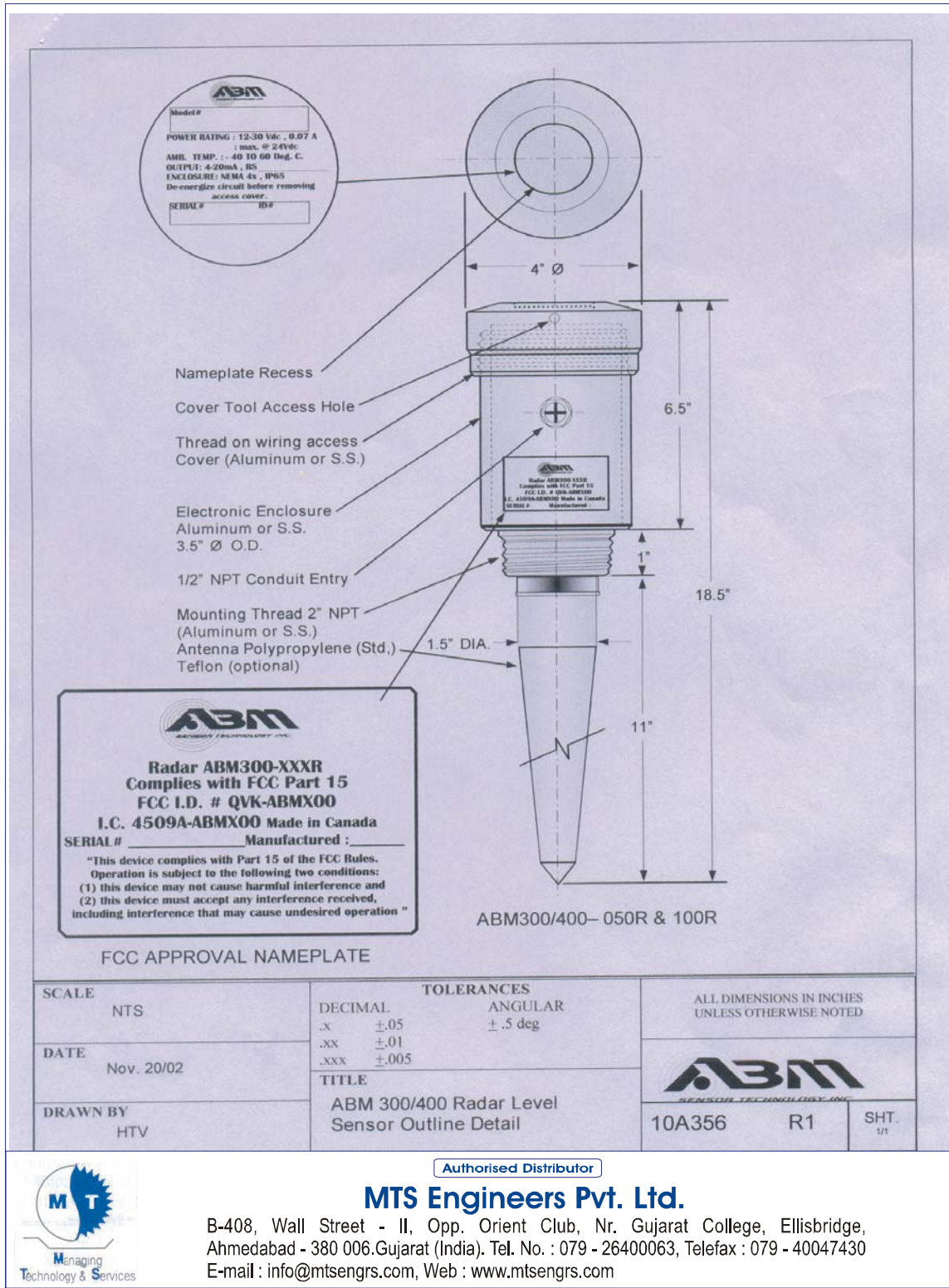
- 1) Load "ABM Gateway PC Software" into your PC.
(Select SETUP.EXE from installation CD and follow instructions on the screen.)
- 2) Click on START and under PROGRAMS select "ABM Gateway PC".
- 3) Select "Start Data Link". You will see two bar graphs, displaying the last 8 echoes & the current output. When PC is connected to the probe, the application header displays the Probe ID and Freq. For PC connected to the Radar the application header displays the radar range. Traffic light icon at the bottom of the screen indicates communication status to probe.
- 4) Pick "Tools" and select "Show Calibration Data".
Screen displays the following parameters,
:Reset Max. Temperature (for ultrasonic probes)
:Empty Tank Distance calibration
:Full Tank Distance calibration -programmable with accuracy of 0.1"
:Temperature Scale (for ultrasonic probes)
:Low Dielectric Material (choose for low dielectric constant materials <4)
:Pipe Mode On/Off (select this for microwave probes operating in metal pipes)
:Select Pipe Diameter (for microwave probes only)
- 5) Show Calibration Data
Screen displays the following parameters,
:Sensor I.D. with single probe is 2
:Current Frequency -shows the operating frequency
:Empty Tank Distance
:Full Tank Distance
:Probe Software Rev.
:D. Link Protocol
:Max Temperature - shows the max. temperature of environment
:Ntemp
- 6) Select Protocol :RS485/232
:MODBUS RTU (Holding Register address is 40109 for Radar Probes and 40080 for Ultrasonic Probes.)
- 7) Fix point Calibration (the same as using the probe calibration Switch) is in the top left corner of the screen.
- 8) By selecting "Diagnostic" the screen displays all information on "errors". Unhappy face icon at the screen bottom indicates sensor errors.
- 9) Echo chart displays information on stability of the echoes.
- 10) Echo Profile displays profiles of your ultrasonic probe . NOTE- when using this feature the probe is not in the measurement mode . To return to "measurement mode" exit the echo profile (select x). Wait until you get the Data Link OK (green light on the Probe Status LED). On the "echo profile" you will see a marker where the software picked up an echo and the distance to the target. To change target for different measurement, exit profile screen, wait for updated data, and go to echo profile. The marker will pick up the new target . Freeze screen and select any point on the graph by clicking mouse to display the distance to selected target.
- 11) Select Data Logging Excel format (default) on FILE menu to collect history data for current and temperature in MS Excel format. Path for data collection: C:\ABM\GATEWAYPC\DATA\yyyy mm dd\sensorID\Data is collected for each sensor ID. The current is collected in 1 hour data files and temperature is collected in 24 hours data files. Use chart wizard in MS Excel to create the graph and view current and temperature data. The current data is collected every 0.5 second and temperature is collected every 1 minute.
Select Data Logging (for Sensor Viewer) on FILE menu to collect history data for current and temperature for Sensor Viewer display. Follow instruction on Sensor Viewer Help menu.
- 12) Select AutoScan (only for networks) to collect data for all sensors connected in the network. Scanning time for one sensor is 30 seconds. Echo Profile display is disabled in Auto Scan mode.
- 13) For low dielectric constant materials such as oils choose Low Dielectric Material "On".
- 14) Select PIPE ON in Tools for microwave propagation in metal pipes, after that click on Select Pipe Diameter in Tools to choose proper diameter of metal pipe.

Authorised Distributor

MTS Engineers Pvt. Ltd.

B-408, Wall Street - II, Opp. Orient Club, Nr. Gujarat College, Ellisbridge,
 Ahmedabad - 380 006.Gujarat (India). Tel. No. : 079 - 26400063, Telefax : 079 - 40047430
 E-mail : info@mtsengrs.com, Web : www.mtsengrs.com





Authorised Distributor



MTS Engineers Pvt. Ltd.

B-408, Wall Street - II, Opp. Orient Club, Nr. Gujarat College, Ellisbridge,
Ahmedabad - 380 006.Gujarat (India). Tel. No. : 079 - 26400063, Telefax : 079 - 40047430
E-mail : info@mtsengrs.com, Web : www.mtsengrs.com