

The Advanced Water Treatment Instruments



FloCounter mhoCounter

- > Ergonomic Form factor
- > Advanced Technology
- > Simple to maintain
- > Yet Inexpensive...



The **FloCounter** and **mhoCounter** is another step to deliver superb technology and convenience, all in a compact package to suit the growing needs of the industry. The 'easy to fit' Flowmeter & Conductivity/TDS Meter, increases the efficiency and aesthetics of any plant. Further, these easily programmable horizontal or vertically mountable meters provide schematic perfection.

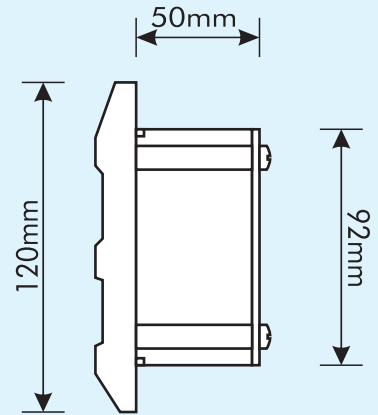
FloCounter

WORLD WATER METER

The internationally designed and approved Flow sensor with German bearing provides higher accuracy & the high tech micro controller gives precise digital calculations.

Function	Rate Indication, Cumulative/Total count.
Accuracy	+/- 2% of F. S. D.
Meter Dimensions	111 x 106 x 68 mm
Display	7 Digit LCD
Mounting	On line type vertical or horizontal
Installation	Solventable T or Clamp-on Saddle
Protection	Weatherproof Enclosure
Programming	Through front panel keys.
Power Supply	AC - 70 to 270V
3 options to choose from	DC - 10 to 30V Battery - 2 x 1.5 V DC, "AA size"
Operating Pressure	5 KG / Sq. Cm.
Operating Temp.	0 to 55°C
Standard Fittings	(1/2", 1", 1 1/2") T; (2", 2 1/2", 3", 4") saddle.
M.O.C.	P. P. Sensor; ABS Enclosure

Panel CutOut - 92 x 92 mm



* extension of cable at your own risk

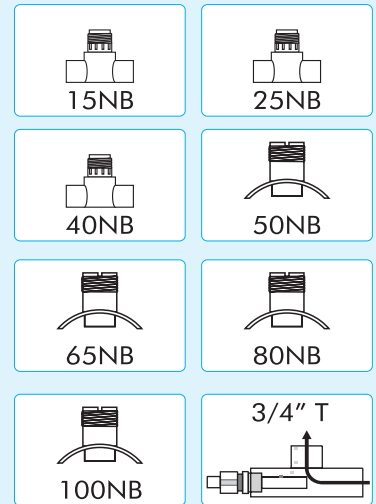
mhoCounter

CONDUCTIVITY TDS METER

The internationally designed and approved CELL provides unmatched linearity with high-tech micro controller for precise digital calculations.

Function	Conductivity & TDS indication with Control
Accuracy	+/- 2% of F. S. D.
Meter Dimensions	111 x 106 x 68 mm
Display	4 Digit Customized LCD
Mounting	On line type vertical or horizontal
Protection	Weatherproof Enclosure
Programming	Through front panel keys.
Power Supply	70 to 270V AC
M.O.C.	SS- 316, PTFE, Nylon; ABS Enclosure
Conductivity range	
For 1.00 Cell	9 - 9999 μ S/Cm (TDS: 0.66 - 6665 PPM)
For 0.10 Cell	0.9 - 999 μ S/Cm (TDS: 0.599 - 665 PPM)
For 0.01 Cell	0.01 - 99.9 μ S/Cm (TDS: 0.09 - 66.5 PPM)

FITTINGS



Manufactured By



Vatturkar Industrial
Pune.

Authorised Distributor

MTS Managing Technology & Services

MTS ENGINEERS PVT. LTD.

B/408, Wall Street-II, Opp. Orient Club, Near Gujarat College, Ellisbridge, Ahmedabad-380 006, Gujarat, INDIA.
T: +91 79 2640 0063 / 3016 0063 • F: +91 79 4004 7430
www.mtsengrs.com

